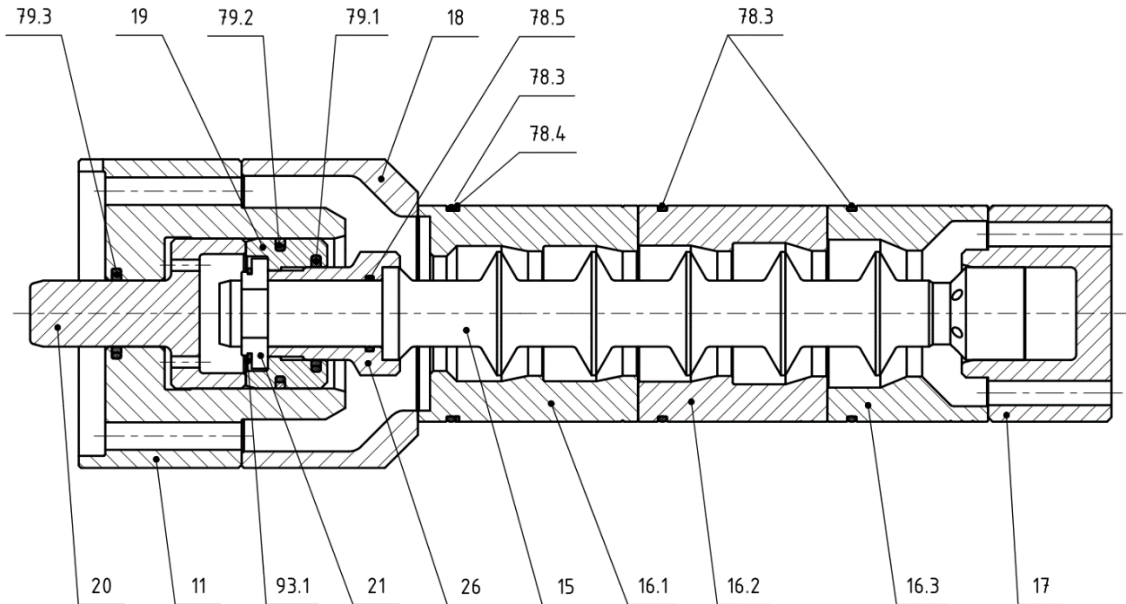


MANUFACTURER: SCHROEDER

MODEL: SIP

MIN
FLOW
VALVE



PART LIST SIP	
Pos.	Item
11	Piston Guide Front
15	Piston Shaft
16.1	Throttle Ring
16.2	Throttle Ring
16.3	Throttle Ring
17	Pisten Guide Rear
18	Spacer Ring
19	Pisten Head
20	Plunger
21	Split Ring
26	Piston Seat
78.3	O-Ring (x3)
78.4	Back Up
78.5	O-Ring
79.1	Rod Seal
79.2	Piston Seal
79.3	Rod Seal
91.4	Socket Screw
93.1	Retaining Ring

SINGLE SPARE PARTS	
Pos.	Item
78.1	O-Ring
95.1	Coil Spring
95.2	Coil Spring

Materials according to operating conditions and valid standards