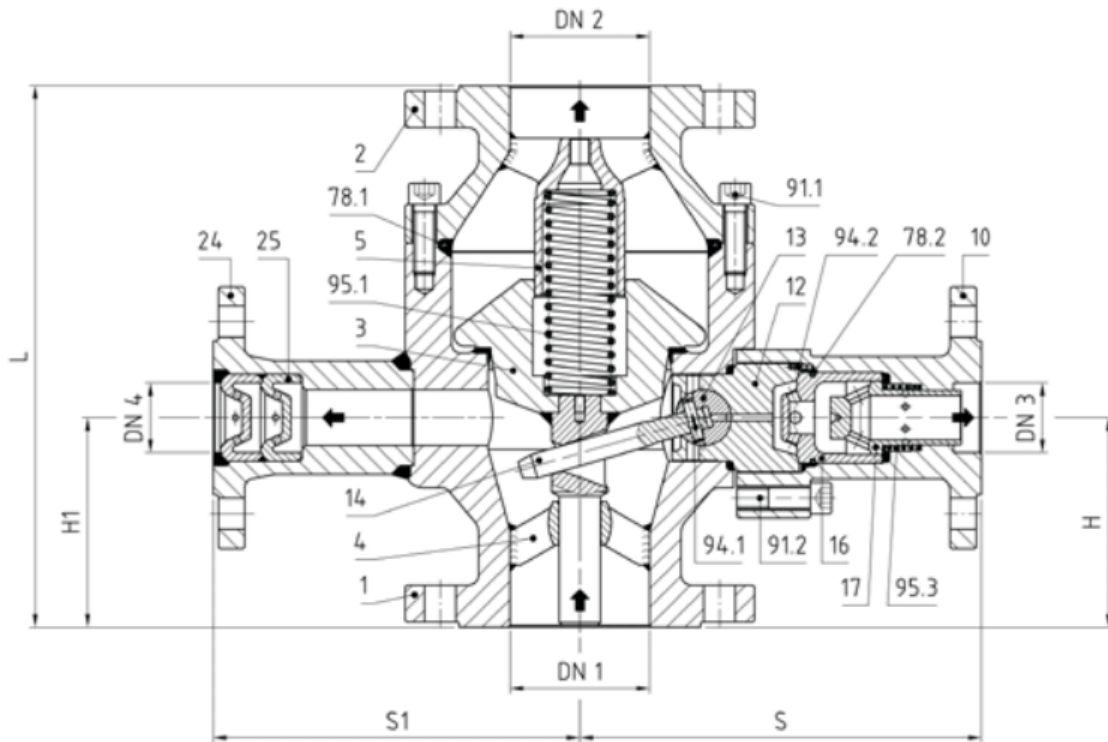


MANUFACTURER: SCHROEDER

MODEL: SSV18-20

**MIN
FLOW
VALVE**



PART LIST SSW 18-20

Pos.	Item
1	Lower Body
2	Upper Body
3	Cone
4	Cone Guide
5	Cone Guide
10	Bypass branch
12	Valve Head Casing
13	Rotary Slide Valve
14	Operating Lever
16	Throttle
17	Non-Return Valve
24	Hand-Op. Branch
25	Multi-Port Throttle
78.1	O-Ring
78.2	O-Ring
91.1	Socket Screw
91.2	Socket Screw
95.1 (95.2)	Coil Spring
95.3	Coil Spring

SPARE / WEAR PARTS SSV 18-20

BYPASS VALVE HEAD, COMPLETE (Pos. 60)	
Pos.	Item
12	Casing
13	Rotary Slide Valve
14	Operating Lever
94.1	Dowel Pin
94.2	Dowel Pin

NON-RETURN VALVE IN BYPASS BRANCH, COMPLETE	
Pos.	Item
16	Throttle
17	Non-Return Valve
78.2	O-Ring
95.3	Coil Spring

SINGLE SPARE PARTS	
Pos.	Item
78.1	O-Ring
78.2	O-Ring
95.1 (95.2)	Coil Spring
95.3	Coil Spring

Materials according to operating conditions and valid standards