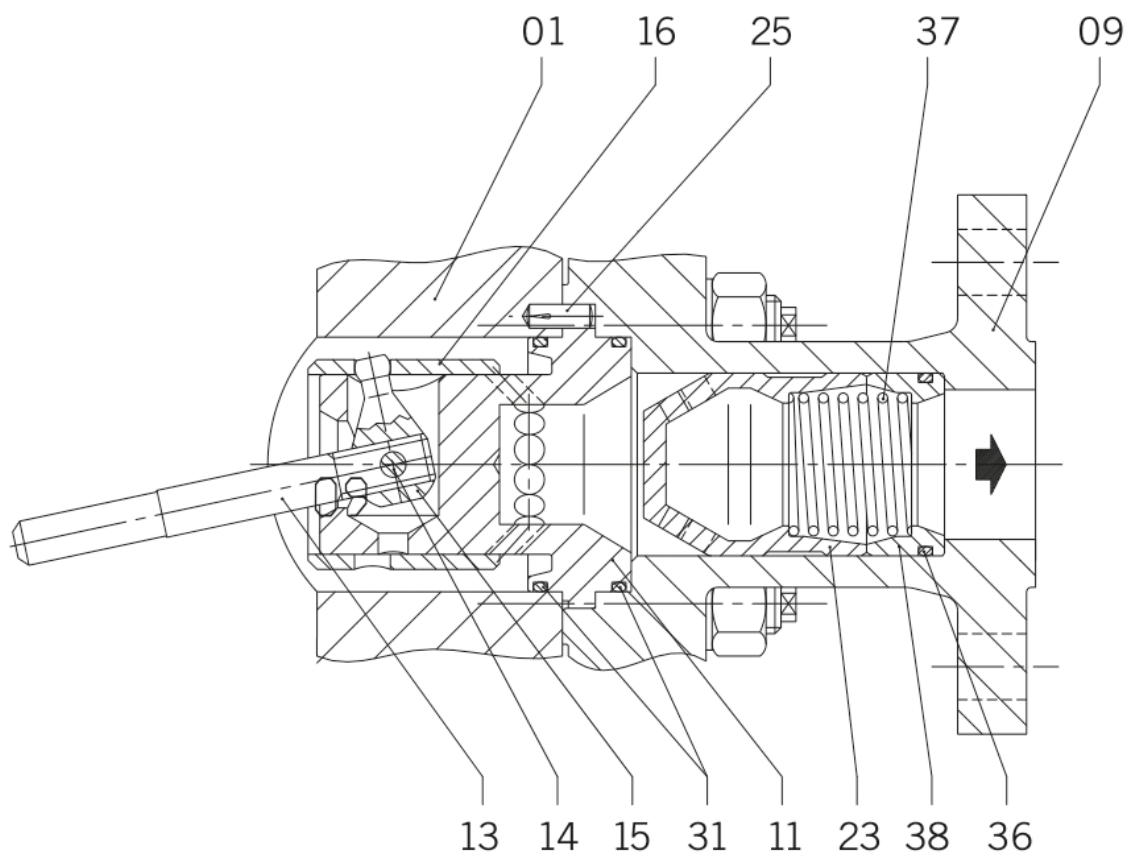


MANUFACTURER: CIRCOR SCHROEDAHL

MODEL: TYPE TDL

MIN  
FLOW  
VALVE



RECOMMENDED SPARE / WEAR PART LIST (bypass)		
Pos.	Item	Material
11	Control head	1.4122
13	Lever	1.4021
14	Pivot pin	1.4301
15	Crank arm	1.4122
16	Control bushing	1.4122
23	Orifice bushing	1.4122
31	O-Ring	*
36	O-Ring	*
37	Spring	1.4310
38	Bottom ring	1.4122

\* Depending on customer requirements

Part list as an exemple of the standard configuration