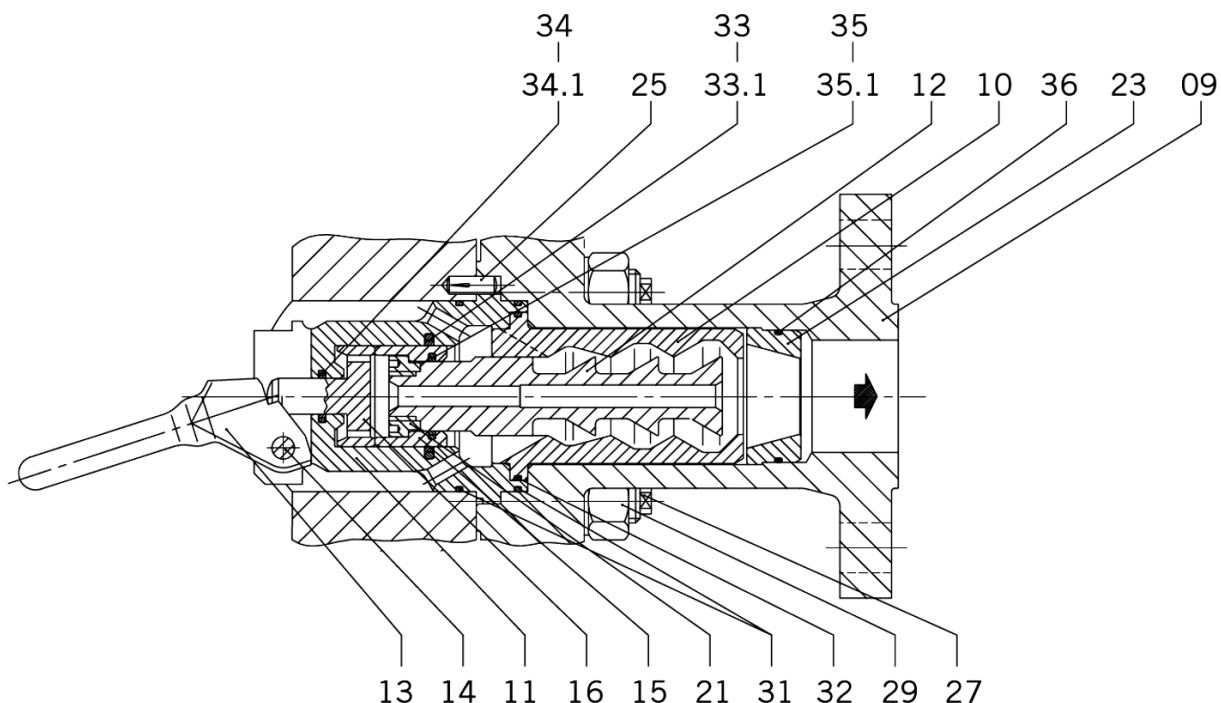


MANUFACTURER: CIRCOR SCHROEDAHL

MODEL: TYPE TDM

**MIN
FLOW
VALVE**



RECOMMENDED SPARE / WEAR PART LIST (bypass)		
Pos.	Item	Material
10	Vortex bushing	1.4122
11	Control head	1.4122
12	Vortex plug	1.4122
13	Lever	1.4313
14	Pivot pin	1.4021
15	Relief bushing	1.4122
16	Relief piston	1.4122
21	Threaded ring	1.4122
23	Orifice bushing / nozzle	1.4122
31	O-Ring	*
32	O-Ring	*
33	O-Ring	*
33.1	Glyd ring	PTFE / Carbon
34	O-Ring	*
34.1	Glyd ring	PTFE / Carbon
35	O-Ring	*
35.1	Glyd ring	PTFE / Carbon
36	O-Ring	*

* Depending on customer requirements

Part list as an exemple of the standard configuration