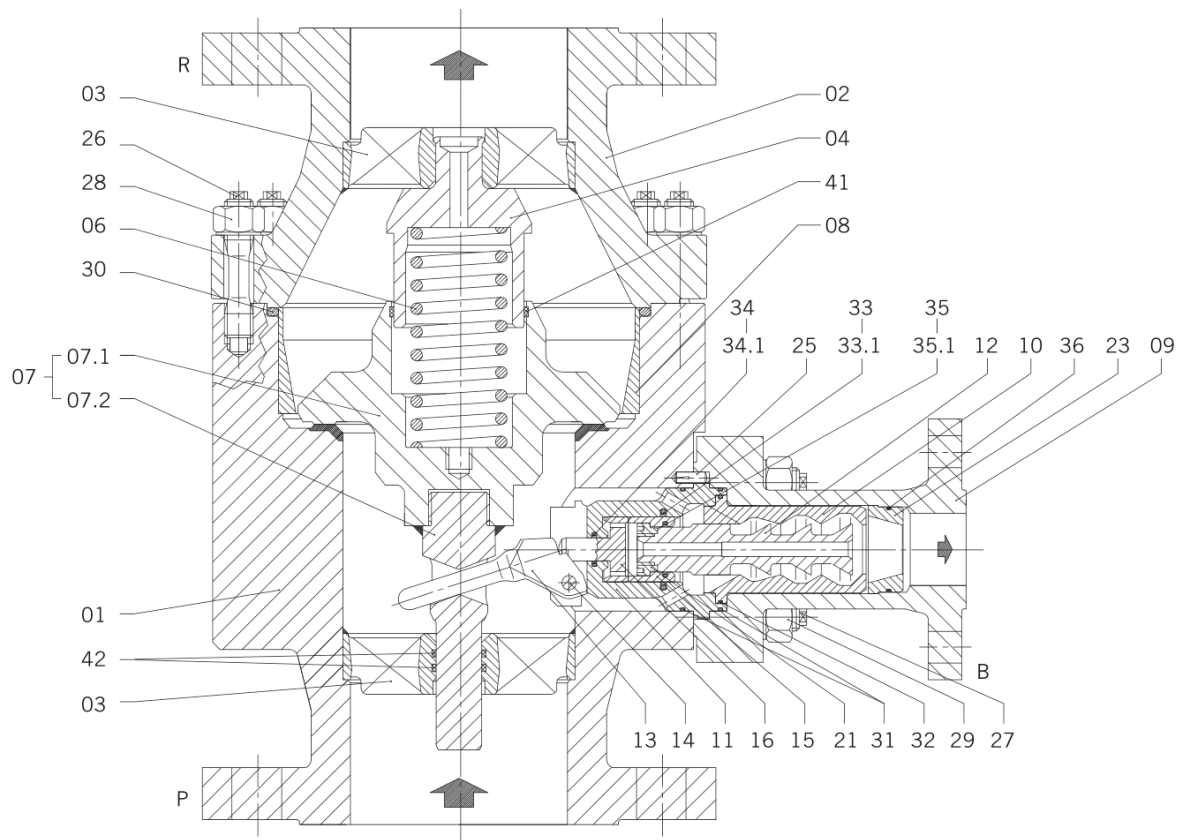


MANUFACTURER: CIRCOR SCHROEDAHL

MODEL: TYPE TDM

**MIN
FLOW
VALVE**



PART LIST (housing)		
Pos.	Item	Material
01	Lower body	*
02	Upper body	*
03	Stemguide	1.4408
03.1	Stemguide	1.4408
04	Guide bolt	1.4021
06	Spring	1.4310
07	Check valve cpl.	1.4404
07.1	Check valve	1.4404
07.2	Stem	1.4404
08	Liner or venturi ring	1.4300 o 1.4301
09	Bypass branch	*
25	Guide pin	A2
26	Bolt	**
27	Bolt	**
28	Hexagon nut	**
29	Hexagon nut	**
30	O-Ring	*
41	Ring	PTFE / Carbon
42	Guide ring	PTFE / Carbon

* Depending on customer requirements

** Depending on size and pressure rating

Recommended spare / wear parts

Part list as an example of the standard configuration